

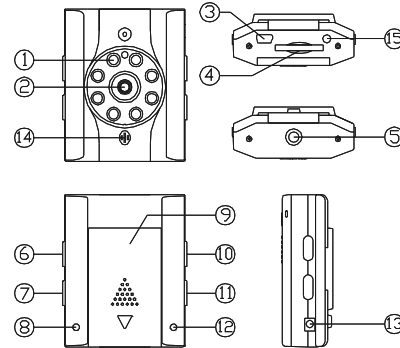
# Vehicle DVR

Road Safety Guard

## Instruction Manual

Thank you for purchasing the Mini Vehicle DVR.  
In order to help you operate it correctly, please read these instructions carefully before use.

### Product Picture and Functions



- |                     |                                 |
|---------------------|---------------------------------|
| 1. IR LED           | 9. Battery Cover                |
| 2. Lens             | 10. Power Switch                |
| 3. USB Slot         | 11. Mode Switch(Record/Preview) |
| 4. SD/MMC Card Slot | 12. Charging Indicator          |
| 5. Fixed Slot       | 13.5V Direct Current Slot       |
| 6. Time Set Switch  | 14. Microphone                  |
| 7. Record / Play    | 15. AV-out                      |
| 8. Work Indicator   |                                 |

### Attached Accessories

- Manual
- Li-ion Rechargeable Battery
- USB Cable
- 12V/24V Car Charger
- Mount
- AV Cable

### Vehicle DVR

IR day and night vision for recording  
Cycled recording and video with time display  
Use SD/MMC Memory Card from 128MB to 32 GB

### Operation

- 1) Activate the DVR by pressing the **Power Switch** ⑩.
- 2) Two Power options:
  - (a) Use Li-ion rechargeable battery
  - (b) Connect with 12V/24V Car Charger
- 3) IR LED will work automatically in night vision.
- 4) The Li-ion battery is charged by 12V/24V Car Charger or USB cable. The charging indicator during charge displays Red. When charging is finished (about 2-3 hours), the indicator goes off.

### Time set

Please set the correct time using a TV and the AV cable before recording. First Stop Recording, press **Play Switch** ⑦, Blue LED stops blinking. Press **Time Set Switch** ⑥ to enter into set mode. Press **Record/Play** to select Date format DD/MM/YYYY, press **Time Set** to select item, and change with **Play Switch** ⑦ Select next item with **Time Button**. Press **Time Button** when seconds selected confirms.

### Recording

Record: Press **Power Switch** to start the DVR and recording automatically. The blue LED indicator blinks continuously to indicate it is recording. The recording file is saved in the SD/MMC Card. To stop, press **Record Button** ⑦, confirmed by, the Blue LED indicator not blinking. If you need to continue recording, press the **Record button** again.

### TV Preview

Connect the AV Out with the supplied cable to a video in (Yellow =Video, White=Sound) .

Press **Mode button** ⑪ to enter **Preview mode** and then press **Play button** ⑦ to select the earlier recording, press **Time Set Button** ⑥ to decide which recording to preview and play by pressing **Play Button** ⑦ **Time Button** ⑥ will increase to 8x speed. To stop, press **Play button** again or wait until end of segment. Press **Mode Button** ⑪ to exit.

- Note: 1) This DVR has no internal card. Please insert the SD/MMC card before recording.
- 2) This DVR records in cycles. When the storage medium is full, it will record from the beginning again and erase over the oldest recorded material automatically. It will have 2-8 seconds delete time, so for a brief period of time the DVR will not record.
- (Note: Copy / Empty the SD if this is an issue.)
- 3) When the power level for Li-ion battery is not sufficient, it will sound the alarm voice and turn off automatically after 30 seconds.

### PC Preview

Either plug in the supplied USB cable, and read the SD card as a new drive - play the video files in Media Player, or remove the SD card and read in an USB adapter.  
All 2 minutes files are time and date listed, and time stamped within the video itself.

### Technical Specifications

- 1) Recording resolution: 640x480 pixels
- 2) Recording file in AVI video format, playable on windows media player
- 3) Repeat storage by 2 minute sections.
- 4) Power source: Li-ion rechargeable battery, or 12V/24V Car Charger
- 5) Supports SD/MMC card( From 256MB up to 32GB)
- 6) Microphone: can record sound

No further notice will be given for any modification of the technical specification.