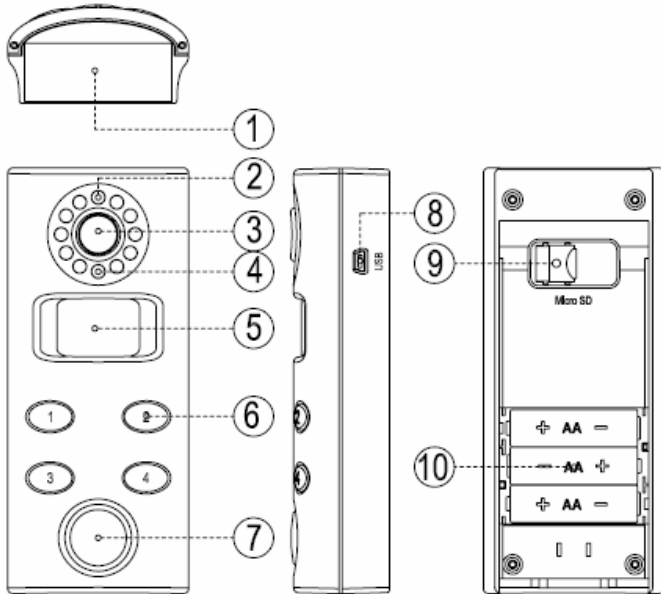


INSTRUCTION MANUAL

Solar Power Alarm – Model SP62C

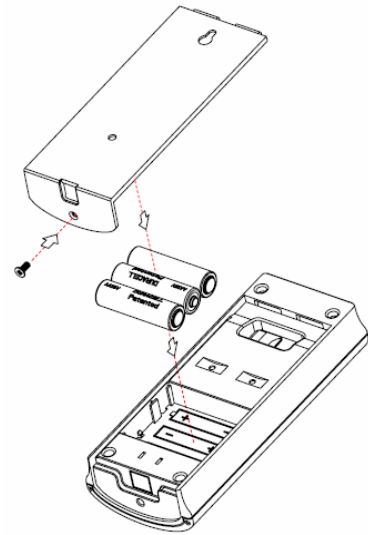
Production diagram



1. Top Solar Panel
2. Night Vision Light
3. Camera
4. Indication Light
5. PIR detector
6. Keypad
7. Siren
8. USB Interface
9. SD Card Slot
10. Batteries Compartment

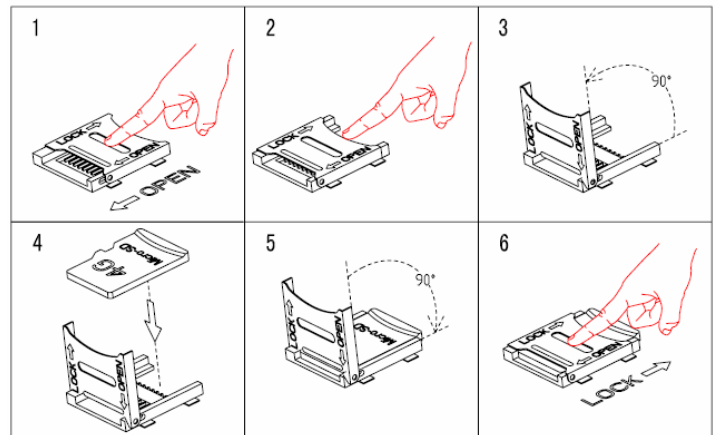
Battery installation

The battery compartment is accessed from the rear of alarm unit by removing screw . Insert 3 'AA' size batteries (not included) following polarity sign. When the last battery is inserted the alarm will beep to indicate the batteries are installed properly. Replace the back cover and fix with screw.

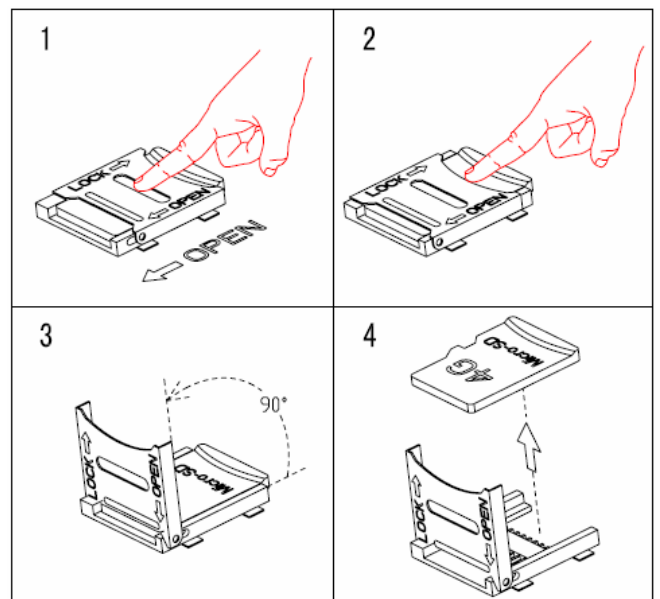


SD Card Installation

Insert SD Card



Take out SD Card



Alarm Password Management

Modify PIN code

PIN code can be modified under disarm mode as following;

- 1, Input default code(default factory code '1234'), LED starts flashing for 30 seconds,
- 2, Enter new four digits PIN code,
- 3, Red LED light stop flashing to confirm new code is set successfully and turn to disarm mode.

NOTE: The first digit of new code can't be '4'.

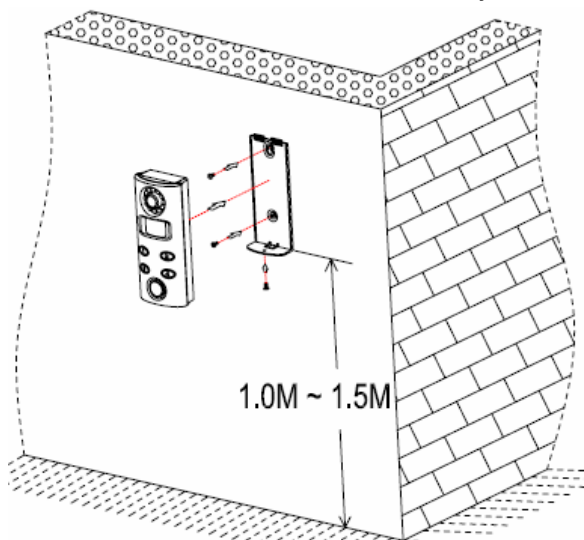
Video record standard time setting.

Connect the alarm with PC using USB line, it will automatically setting the record standard time, all record time will keep same with your computer when recording.

Installation

1. Free stand in the horizontal surface.
2. Or install the alarm on the wall , preferably front the door about 1~1.5M above ground.
2. Remove the back cover and fix it to the wall using the screws supplied.
3. Then the alarm body can be snapped into place on to the back cover and secured using the screw at the base.

Note: This alarm unit also can be used as free standing.



Alarm Operation

Arm the Alarm Unit

Press keypad number 4 and a confirmation tone will indicate that the alarm is armed. You have 30 seconds to vacate the area. After this time, if motion is detected, alarm will siren.

Disarm the Alarm Unit

Input 4 digits security code within 5 seconds. This will disarm the alarm. After this time, alarm will sound 30 seconds, then auto reset for next motion detecting.

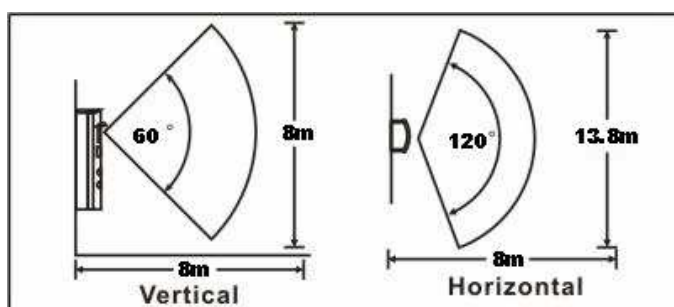
Check the video record

Under disarm mode, connect alarm unit with PC via USB line(included), you can find the "record" files in my Computer.

Each Video record is 30seconds for each PIR detection.

Detection range

The motion detector area of the alarm unit has 8m far away, 60° horizontal and 120° vertical.



Care and Maintenance

To clean the case, simply use a soft slightly damp cloth with water and wipe dry immediately.

Caution: Never use chemicals to clean the case, as they may cause damage to the plastic and cause alarm not available.

Troubleshooting

The unit does not sound when the batteries are installed

Ensure that the batteries are connected correctly according to the diagram in the battery compartment.

The alarm does not arm

Ensure that the back plate of the alarm unit is secure to hold the batteries in place and that the red light comes on when the 'arm' or 'disarm' buttons are pressed.

The red light on the base of the alarm is on

This is ' Battery low indicator. The batteries need replacing.

Battery precautions

- Use appropriate size batteries.

- Follow correct polarity when installing batteries.
- Do not mix different types of battery such as Alkaline and Carbon-zinc or old batteries with new.
- If alarm unit is not used for a long period of time, remove batteries to prevent damage or injury from possible battery leakage.
- Do not recharge batteries not intended to be recharged.